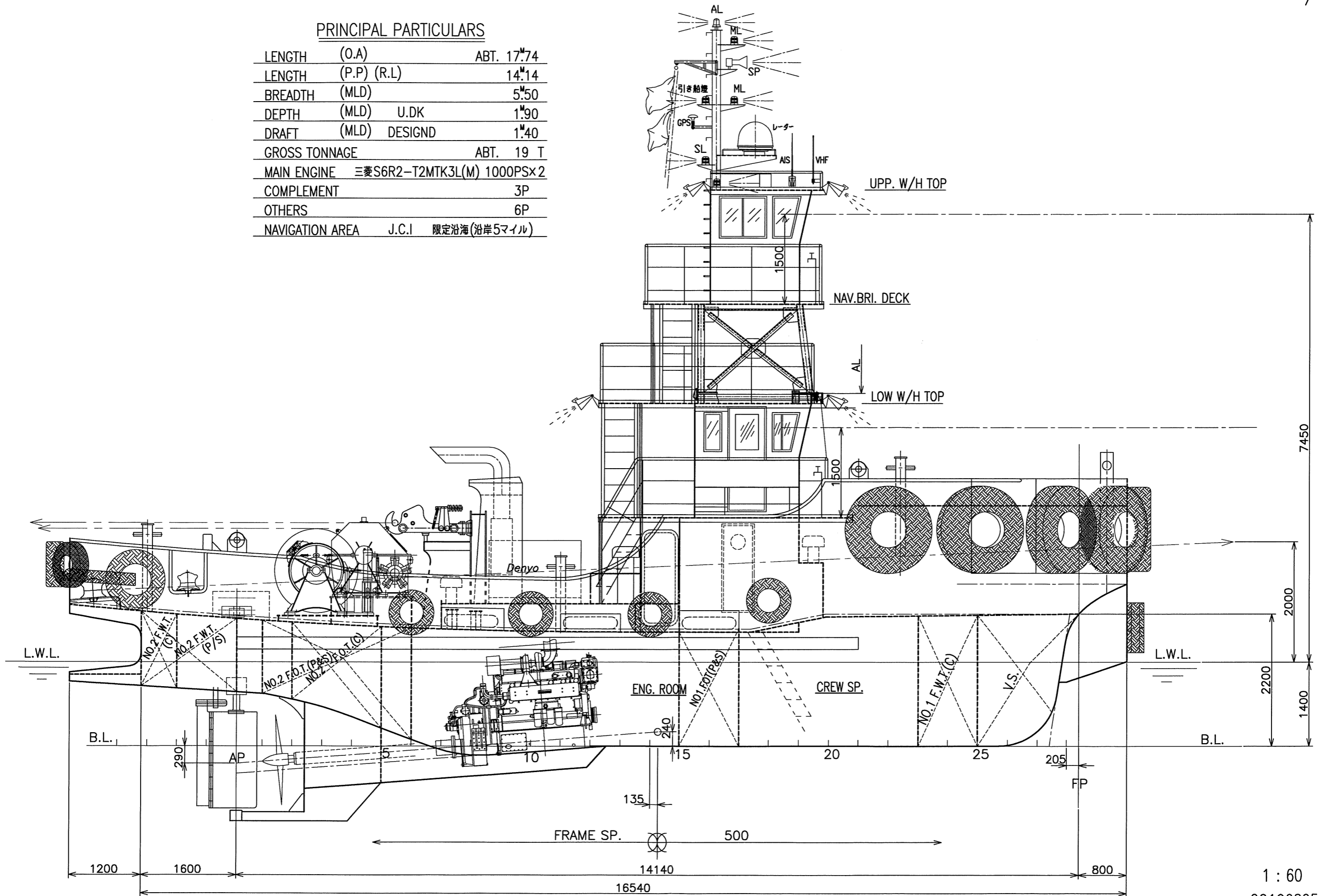
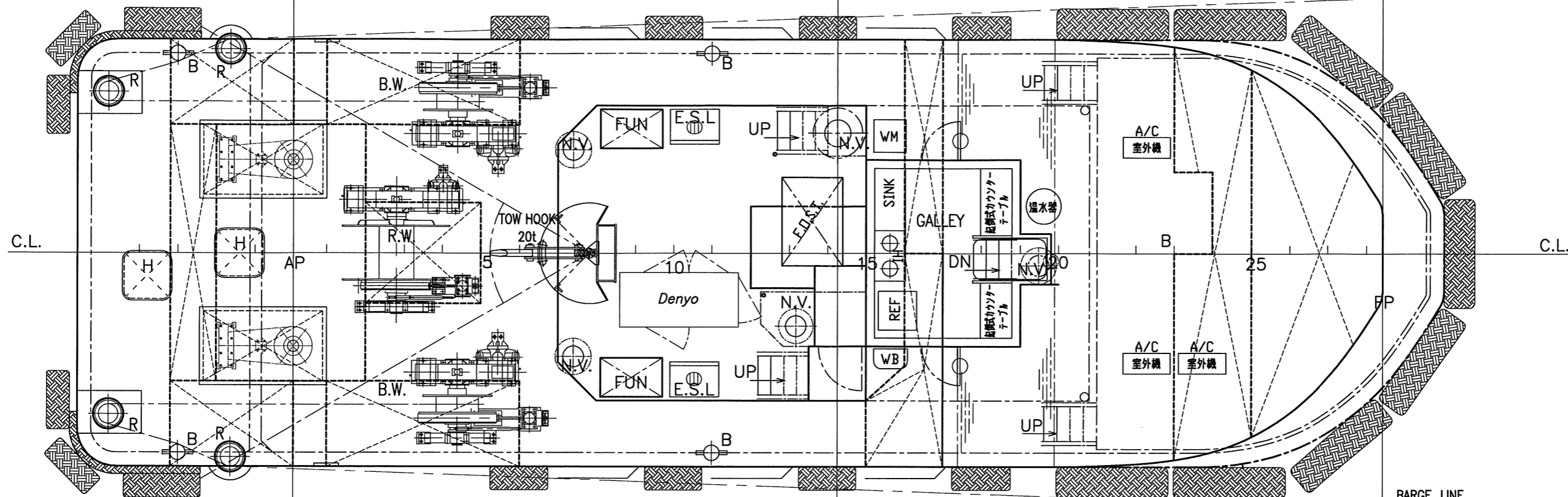


PRINCIPAL PARTICULARS

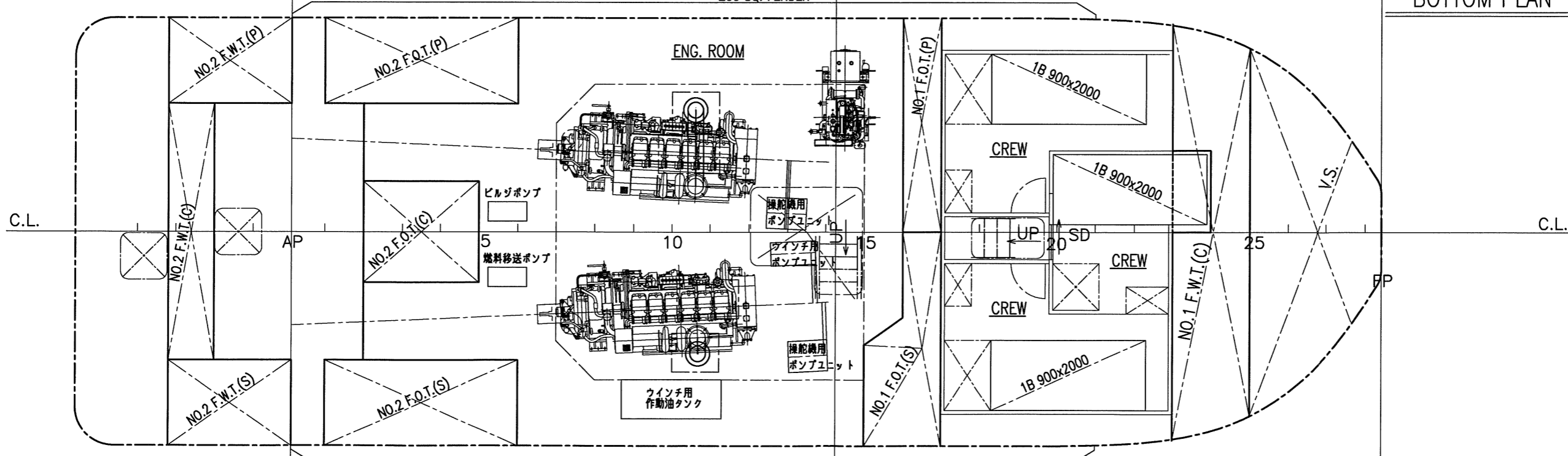
LENGTH (O.A)	ABT. 17 ^M .74
LENGTH (P.P) (R.L)	14 ^M .14
BREADTH (MLD)	5 ^M .50
DEPTH (MLD) U.DK	1 ^M .90
DRAFT (MLD) DESIGND	1 ^M .40
GROSS TONNAGE	ABT. 19 T
MAIN ENGINE	三菱S6R2-T2MTK3L(M) 1000PSx2
COMPLEMENT	3P
OTHERS	6P
NAVIGATION AREA	J.C.I 限定沿海(沿岸5マイル)



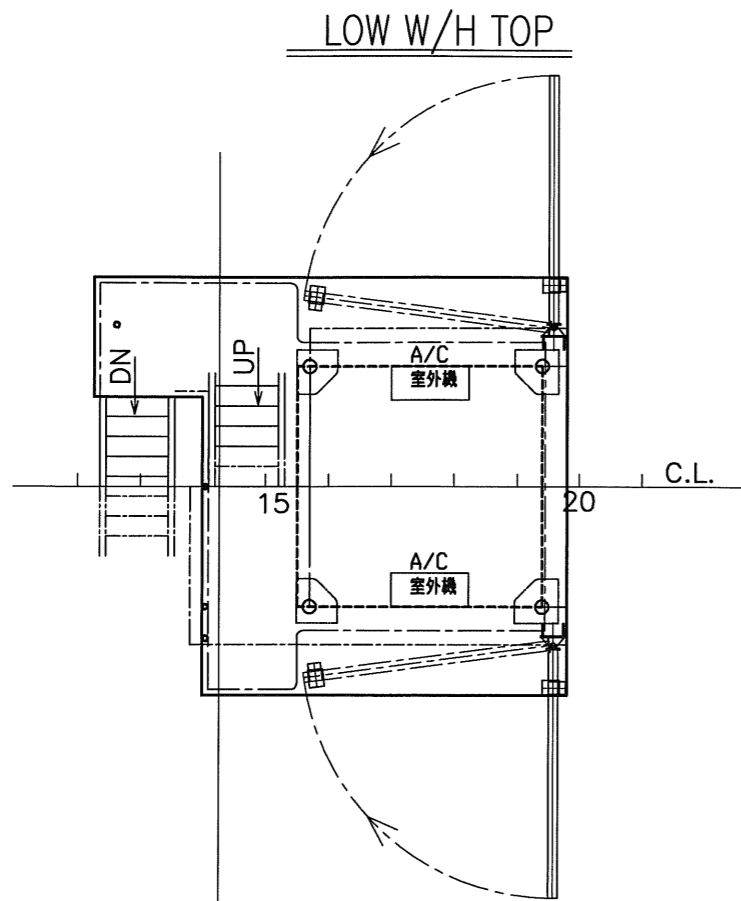


200 SQ. FENDER

BOTTOM PLAN



FRAME SP. 500



UPP. DECK HOUSE TOP & WINCH DECK

